

# OWNER'S MANUAL

## AUTOMATIK SEPARATOR

---



## **IMPORTANT SAFETY INSTRUCTIONS**

When using an electronic appliance, basic safety precautions should always be followed. Read all guidelines before operating the unit.

To reduce risk of fire, electric discharges or injuries:

- Use this vacuum only for its intended use as described in this manual. (Use of attachments not recommended by the manufacturer may cause fire, electric shock, injury or damage to system components.)
- Do not pick up anything that is burning or smoking, such as cigarettes, matches, or hot ashes.
- Do not pick up any flammable liquids or combustible materials (gasoline, fuel, diesel) hot debris, waste solvents (paint or other), explosive materials that would cause harm to the vacuum cleaner.
- Do not vacuum drywall dust or baking flour as it may cause damage to your vacuum.
- Avoid picking up hard or sharp objects to prevent damaging or block the hose and the plastic pipes.
- Do not put any object into openings. Do not use with any opening blocked. Keep free of dust, lint, hair and anything that may reduce airflow/suction. Lack of air flow will cause the motor to overheat.
- This vacuum cleaner creates suction. Keep hair, face, fingers, all body parts and loose clothing away from any openings.
- Never handle plug, cord or power units with wet hands.

By overlooking safety rules, you might risk putting your health in danger and to those who surround you!

**Drainvac International disclaims any responsibility should you infringe upon these guidelines.**

SAVE THESE INSTRUCTIONS

# INTRODUCTION

We wish to thank you for your trust and congratulate you for having chosen a Drainvac product. It is a sound investment that will satisfy your vacuuming needs for years to come. The concept of Drainvac's Automatik central vacuum cleaners is unique and patented. They are manufactured and checked at our plant by our qualified staff who have been specifically trained to this end. A number of installations and operating methods must be followed to ensure your system's maximum performance and to avoid unnecessary service calls. Please read this manual carefully.

# REGISTRATION

To fill in the Drainvac product registration form, go to [www.drainvac.com/client-support/register-your-drainvac](http://www.drainvac.com/client-support/register-your-drainvac)

First off, we recommend you to fill out this form before you start the installation process. If you have any concerns or problems you may encounter, please contact the nearest retailer. The unit's profile will be required.

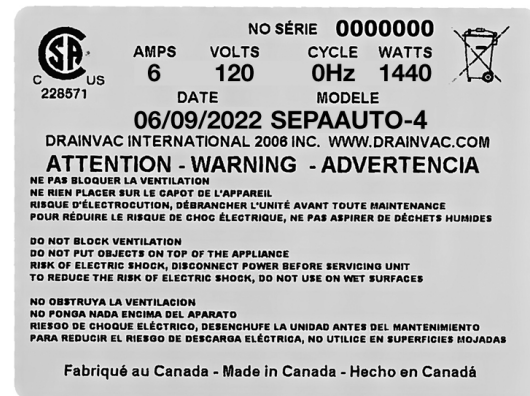
**Model\*:** \_\_\_\_\_

**Serial number\*:** \_\_\_\_\_

**Retailer name:** \_\_\_\_\_

**Date of purchase:** \_\_\_\_\_

\*This information is found on a metal tag located on the left side of the unit.



Metal tag

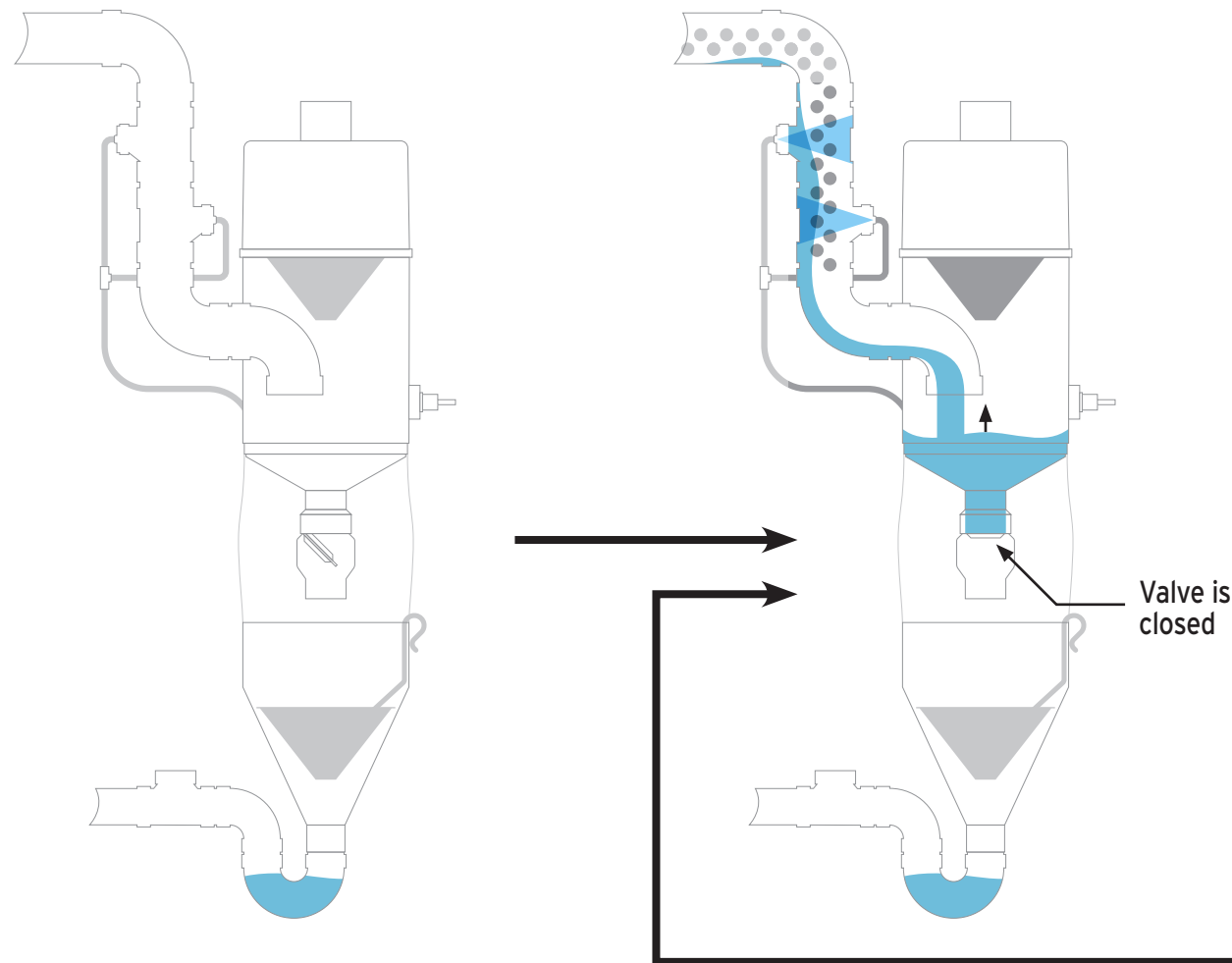
# TABLE OF CONTENTS

<b>HOW THE SYSTEM WORKS</b> .....	6-7
<b>HOW TO USE THE SYSTEM</b> .....	8
<b>TECHNICAL DATA SHEET</b> .....	9
<b>UNIT DESCRIPTION</b> .....	10
<b>INSTALLING THE UNIT</b>	
FIRST THINGS FIRST.....	11-12
STEP SEQUENCE .....	13-15
<b>INSTALLING THE PIPING SYSTEM</b> .....	16-19
<b>ELECTRICAL POWER SUPPLY</b> .....	20
<b>MAINTENANCE PROCEDURES</b>	
STORING .....	21
AUTOMATIK SEPARATOR.....	22
<b>WEEE GUIDELINES</b> .....	23
<b>SUPPORT</b> .....	23

# HOW THE SYSTEM WORKS

Drainvac Automatik central systems are designed to vacuum both solids and liquids. The canister never needs to be emptied manually since the wastewater is automatically evacuated through the building's drainpipe or can be redirected to a nearby floor drain.

## OPERATION SEQUENCE



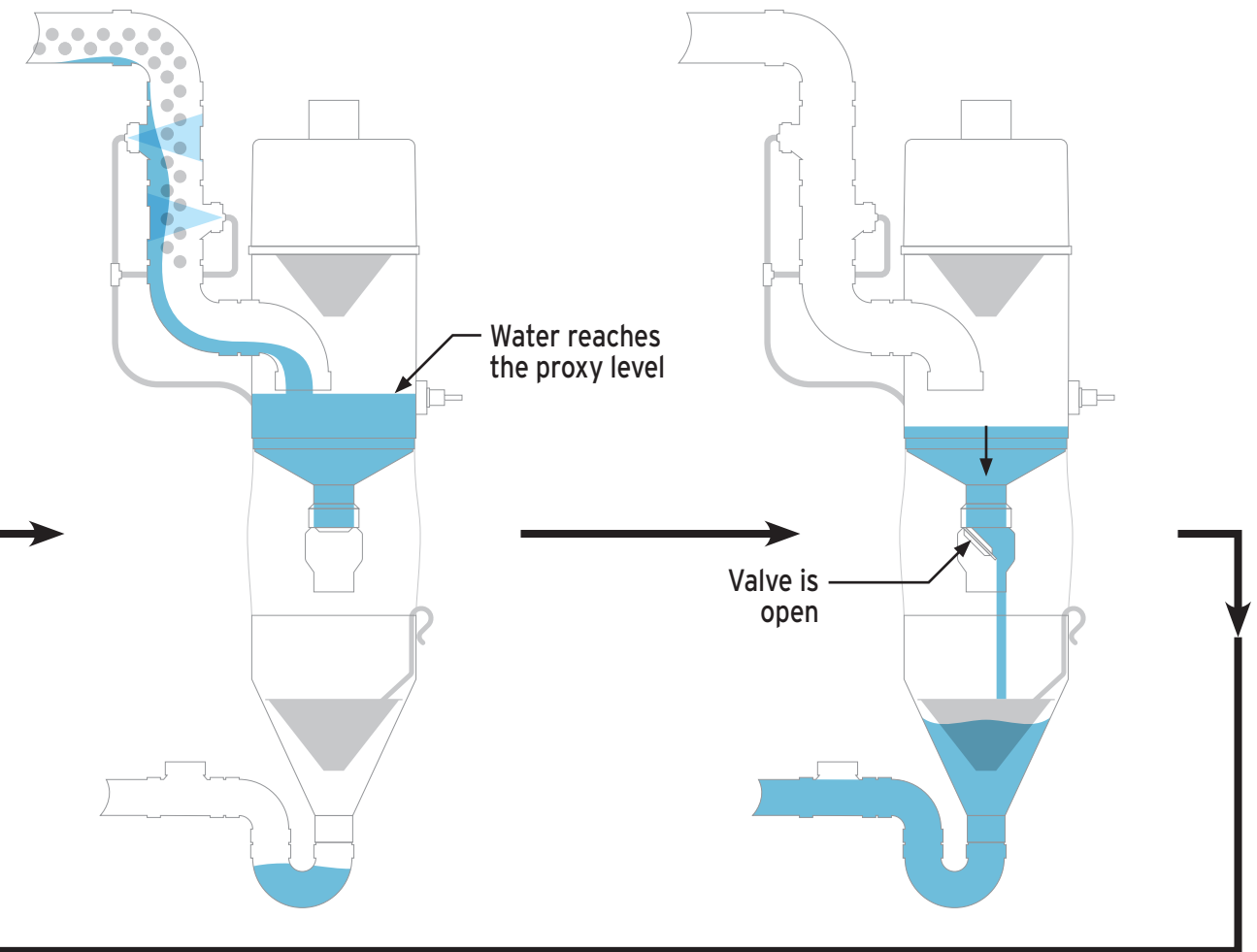
**Step 1**  
Unit is off.

**Step 2**  
Start up: The dirt begins to be vacuumed and water flows in.

# HOW THE SYSTEM WORKS



Watch the video sequence!



**Step 3**  
Water flows in, reaching the electrodes (approx. 10 minutes).

**Step 4**  
The wastewater is evacuated (approx. 20 seconds).

## STARTUP

As you connect the hose to the wall inlet or manually turn on the unit, the Automatik system **starts up in a progressive manner**. The soft start feature protects the electrical panel from sudden high tension. At the same time, **water starts to flow in** from the water jets located in the unit's air inlet.

## GENERAL INFORMATION

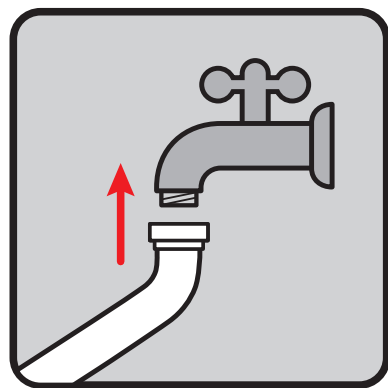
As you are cleaning, the unit's canister gradually fills up and **comes to an automatic stop once water reaches the electrodes**. While the system is stopped, **the vacuumed waste is being evacuated from the unit**. This can take a few seconds before the system starts back again (refer to page 6 and 7).

**NOTICE:** Disconnecting the hose from the wall inlet stops the system, which **releases the pinch valve and empties the unit's waste**.

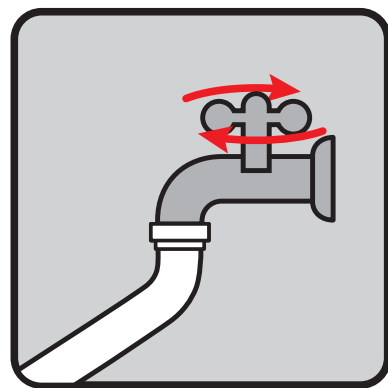
## LIQUID PICK-UPS

Instead of the regular floor brush, use a tool specially designed to vacuum liquids.

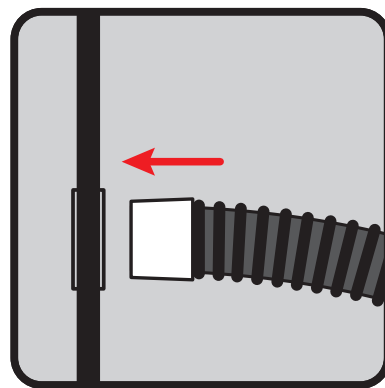
If you use a cleaning kit with jets:



Connect the water hose from the cleaning tool to the faucet.



Open the faucet, use preferably warm water.

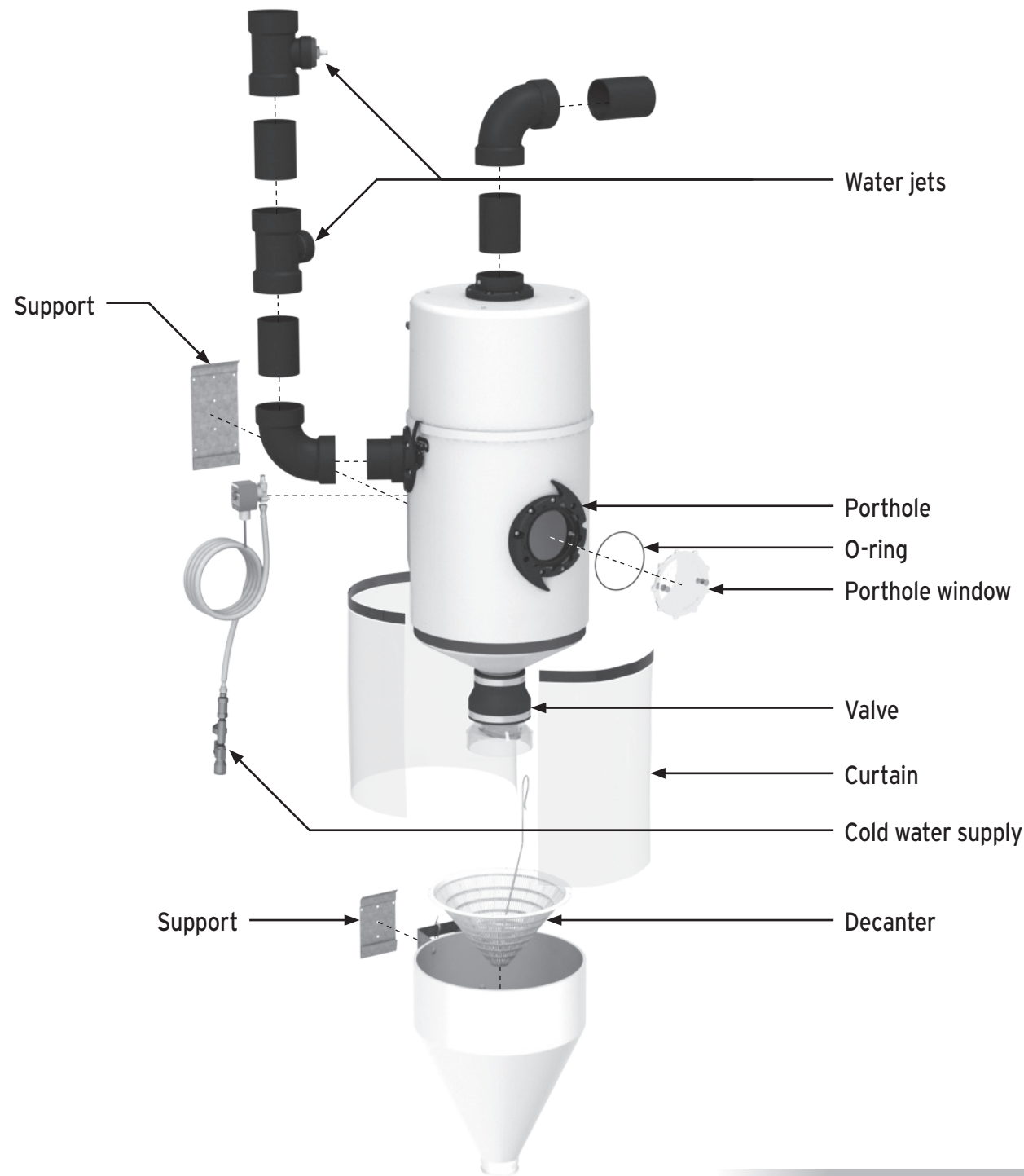


Connect the hose into the wall inlet.



MODEL	IN	OUT	CAPACITY	DIMENSIONS
SEPAAUTO-4	3" / 76 mm	3" / 76 mm	6 gal. / 29 L	15" dia. x 65" (38 cm dia. x 165 cm)

# UNIT DESCRIPTION



**SEPAUTO-4**

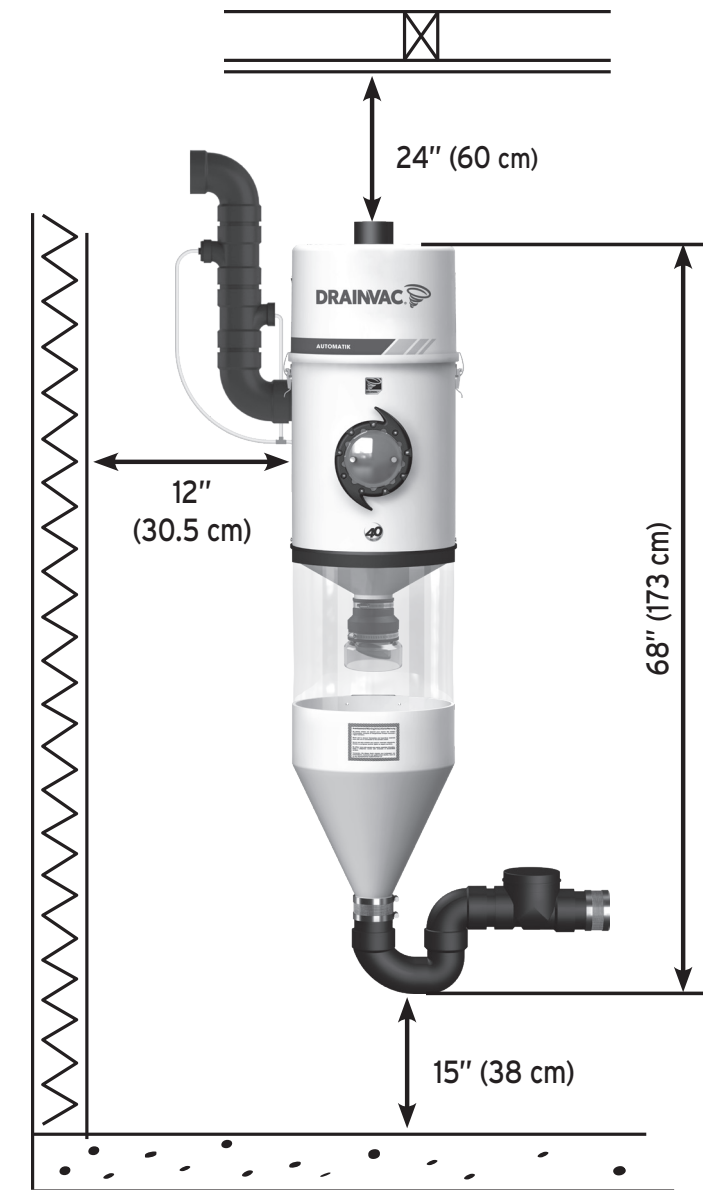
# INSTALLING THE UNIT - FIRST THINGS FIRST -

## WHERE WILL YOU INSTALL THE UNIT?

We recommend installing the system on the **lowest level of the building** to avoid having to work against gravity. The basement is generally the most ideal location, **near the building's main drainpipe**. A cold water pipe must also be available and connected to the unit. If there is no basement, the garage or a storage room will do.

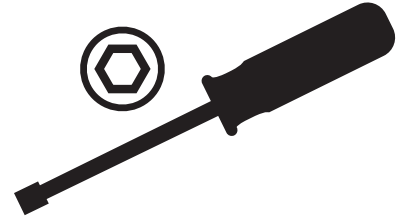
## MINIMUM DIMENSIONS AND SPACING

It is important to install the unit in a location where it will be easily accessible for maintenance and to effectively evacuate the waste. The following is the **minimum spacing** recommended:

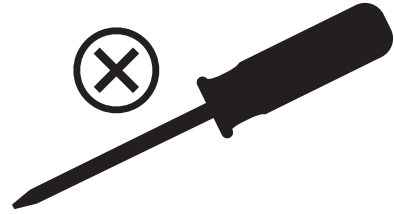


# INSTALLING THE UNIT - FIRST THINGS FIRST -

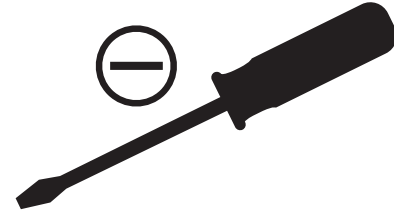
## REQUIRED TOOLS



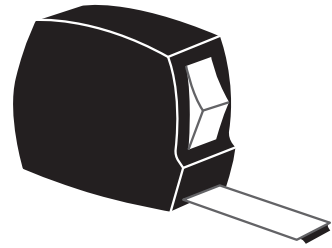
**Socket Head Screwdriver**  
(for the clamps)  
(supplied with the unit)



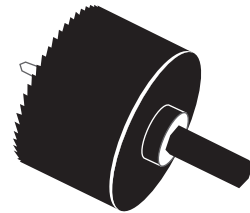
**Phillips Screwdriver**



**Regular Screwdriver**



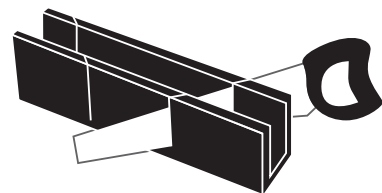
**Measuring Tape**



**Hole Saw**  
2.25" (57 mm)



**Cutting Pliers**



**Mitre-Box and Saw**

or



**PVC Pipe Cutter**  
2" (50 mm)

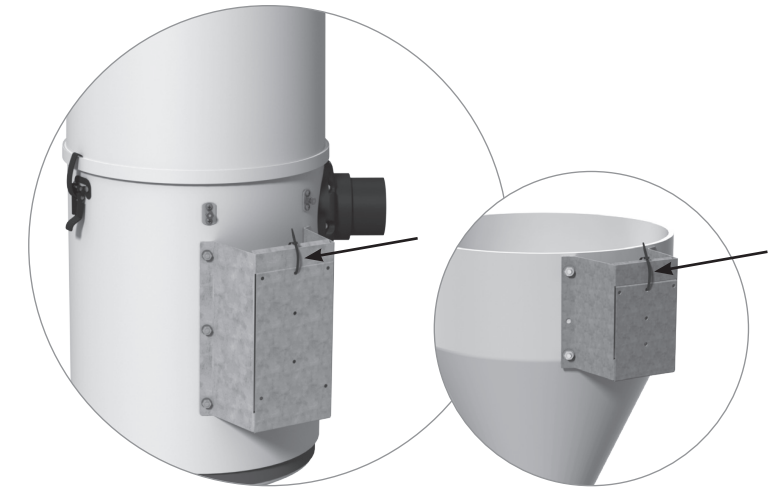


**Drill**  
0.5" (12.5 mm) bit

# INSTALLING THE UNIT - STEP SEQUENCE -

## 1) MOUNTING THE UNIT ON THE WALL

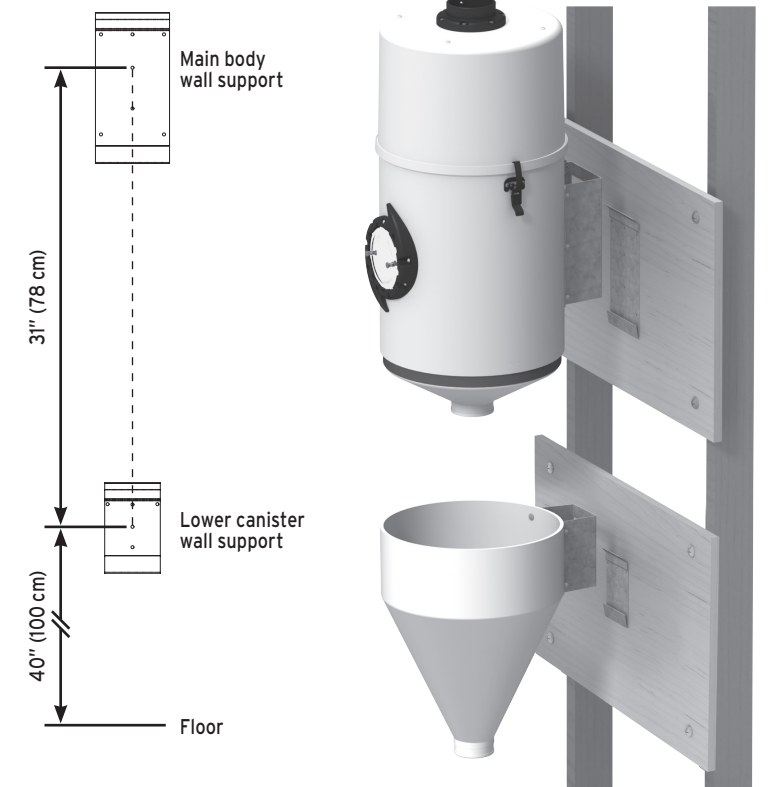
- Start by separating both parts of the wall bracket that are behind the main body and the conical canister by cutting the zip-tie.



- Mount the lower canister support to the wall at 40" (100 cm) from the floor.
- Mount the main body support to the wall in line with the bottom support, at 71" (180 cm) from the floor.

⚠ For walls made of gypsum board and wood studs, we recommend that you first add a wooden plate screwed to the studs for greater stability.

- Hang the main body and the lower canister onto the wall support.



# INSTALLING THE UNIT - STEP SEQUENCE -

## 2) INSTALL THE VALVE

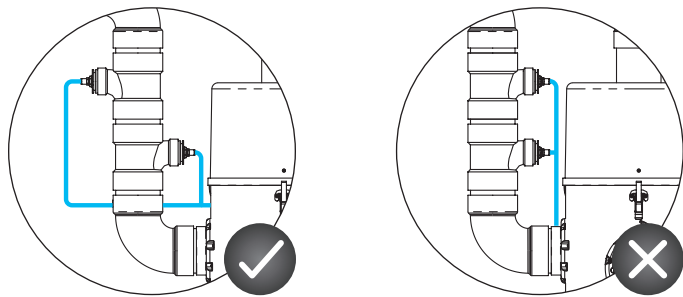
- Attach the valve to the main body with the clamp.

## 3) CONNECT THE DUST INLET

- Connect the dust inlet to the unit.  
\*Note that the piping is already pre-assembled by pressure, do not use glue.

## POSITIONING THE WATER JETS

- It is important for the jets to face each other so that the water jets cover a larger area together.



## 4) CONNECT THE WATER

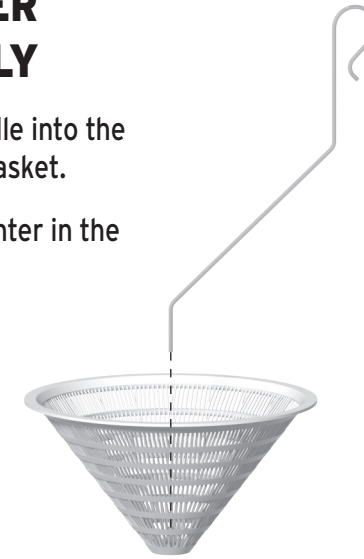
- Connect the cold water supply of the building to the unit's water inlet.
- Connect both jets to the water supply with the provided transparent hoses.
- Open the water valve.



# INSTALLING THE UNIT - STEP SEQUENCE -

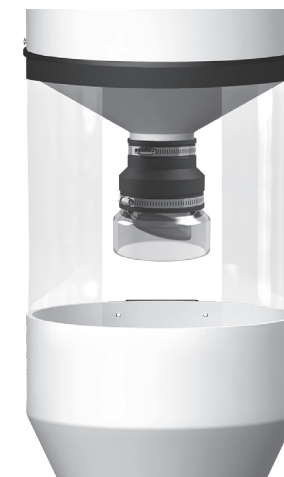
## 5) DECANTER ASSEMBLY

- Screw the handle into the center of the basket.
- Place the decanter in the lower canister.



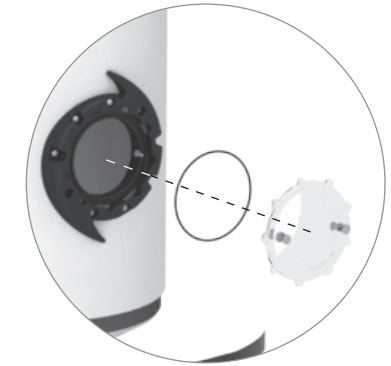
## 6) PLACE THE CURTAIN

- First place the large curtain with the opening facing forward.
- Then cover the opening with the small curtain.
- Make the curtains drop inside the canister.



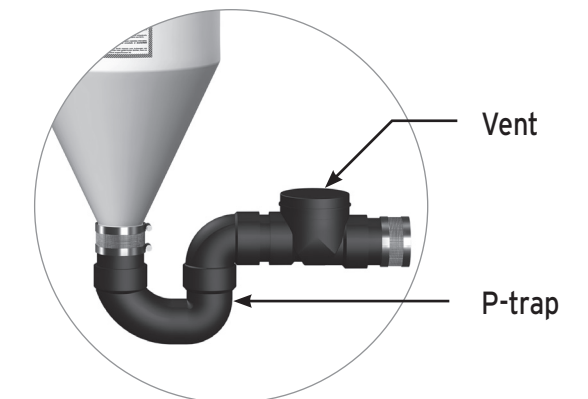
## 7) PORTHOLE ASSEMBLY

- Please follow the instructions on the sheet provided with the porthole.



## 8) OPTIONAL: CONNECT THE DRAIN

If you are connecting the separator to a drain pipe, a P-trap and vent must be installed.

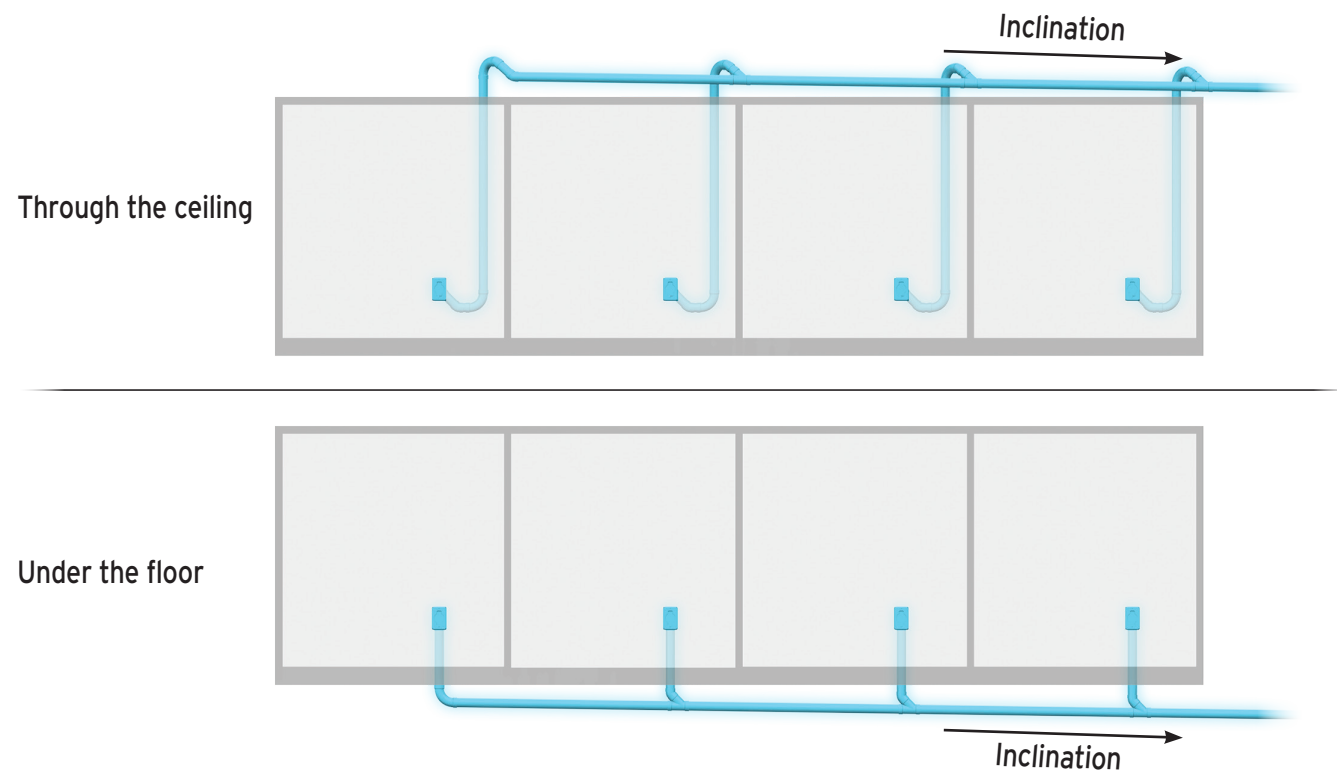




# INSTALLING THE PIPING SYSTEM

To determine where to locate the wall inlets, use the length of the vacuum hose as a basis, measuring the furthest point from the wall where the wall inlets are to be installed. Do the same for all the wall inlets until all areas of the house or building can be reached with the vacuum hose, by moving it from one wall inlet to another.

## DIAGRAM OF A COMMERCIAL INSTALLATION



Always have a slight inclination of the piping towards the unit.

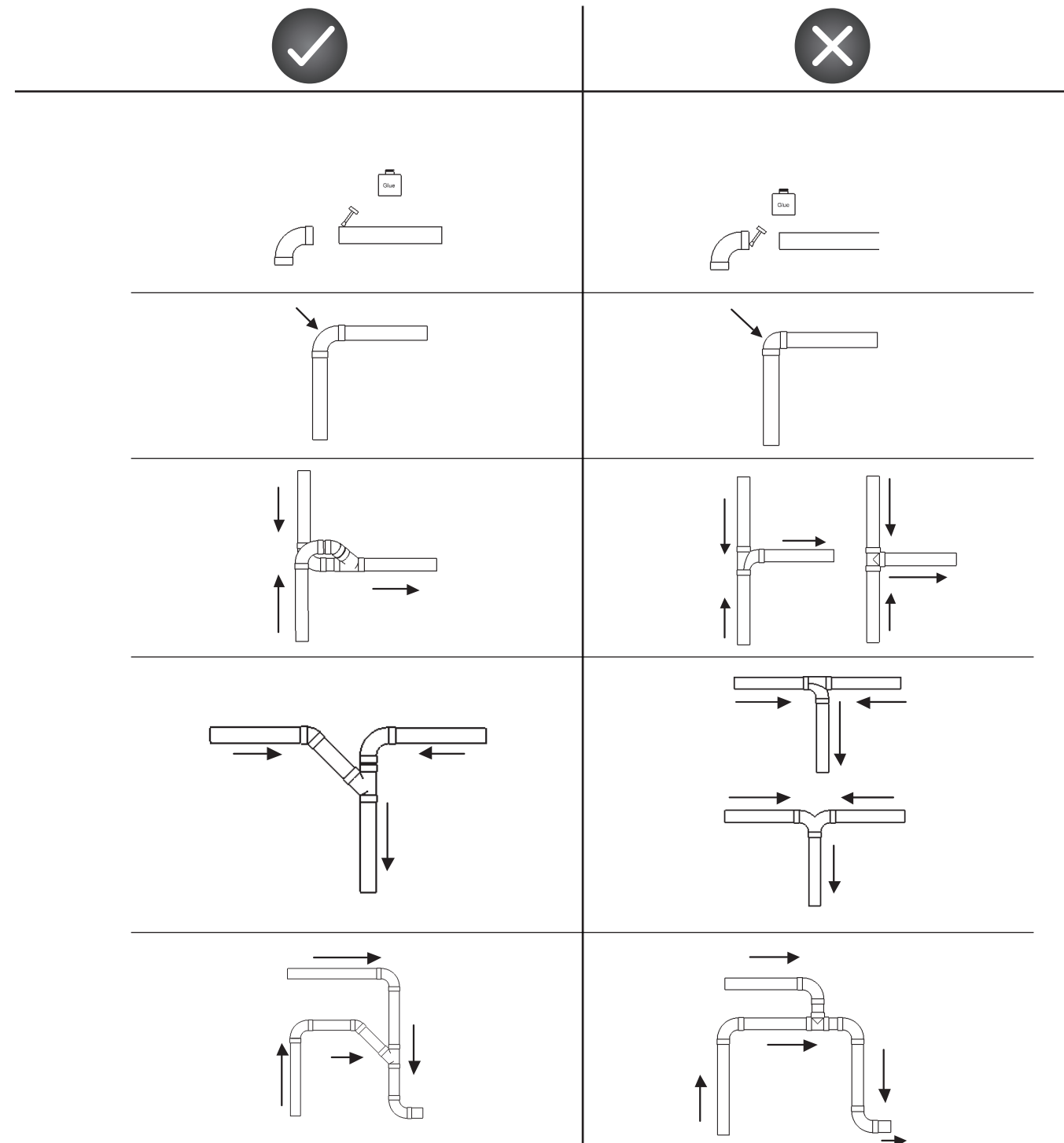
# INSTALLING THE PIPING SYSTEM

## EXAMPLES OF PROPER AND IMPROPER INSTALLATIONS

✔	✘
Thin wall Thick wall For wall plates only	
Joint with inside stoppers	
	Smooth joint without inside stoppers

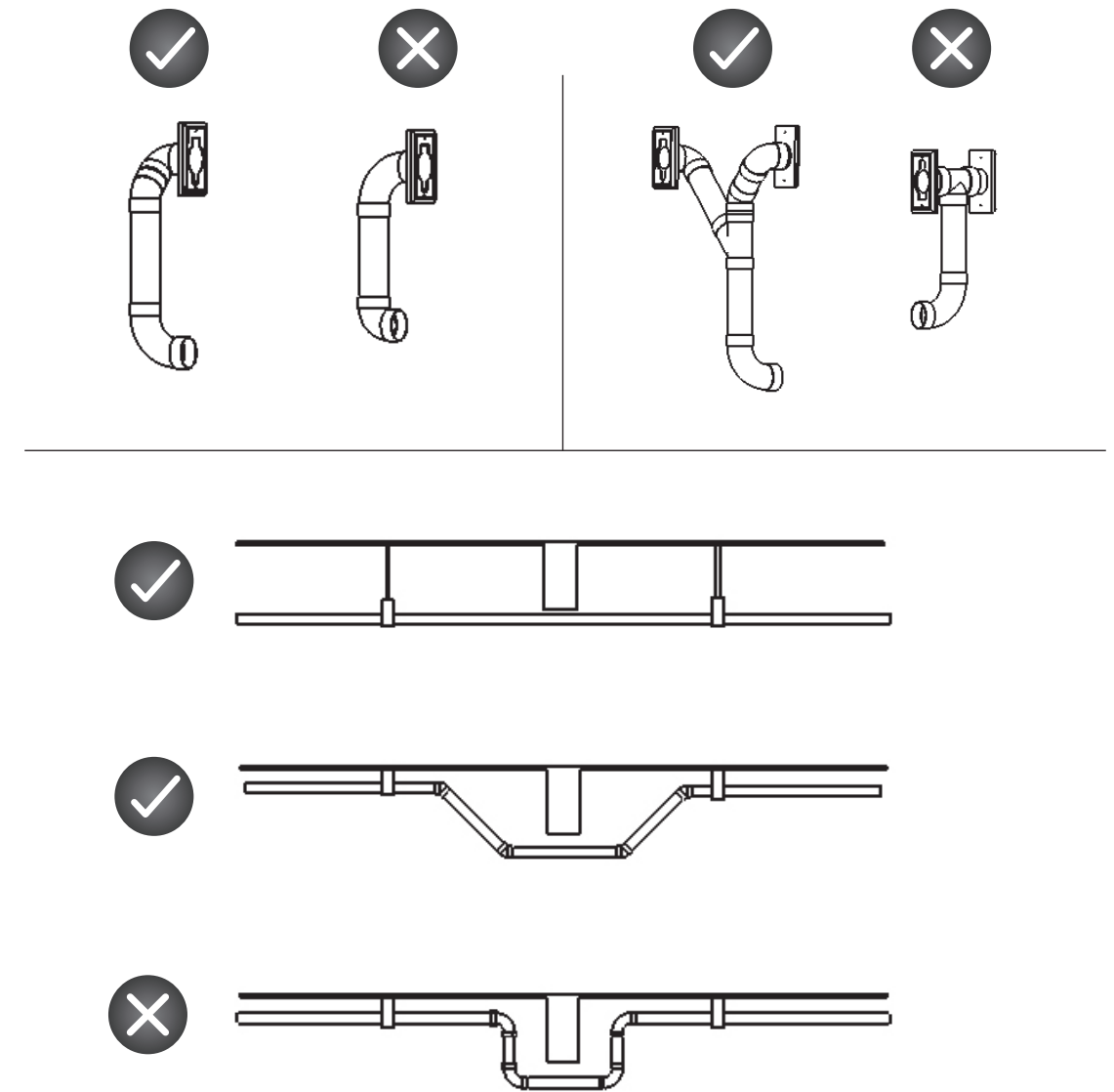
# INSTALLING THE PIPING SYSTEM

## EXAMPLES OF PROPER AND IMPROPER INSTALLATIONS



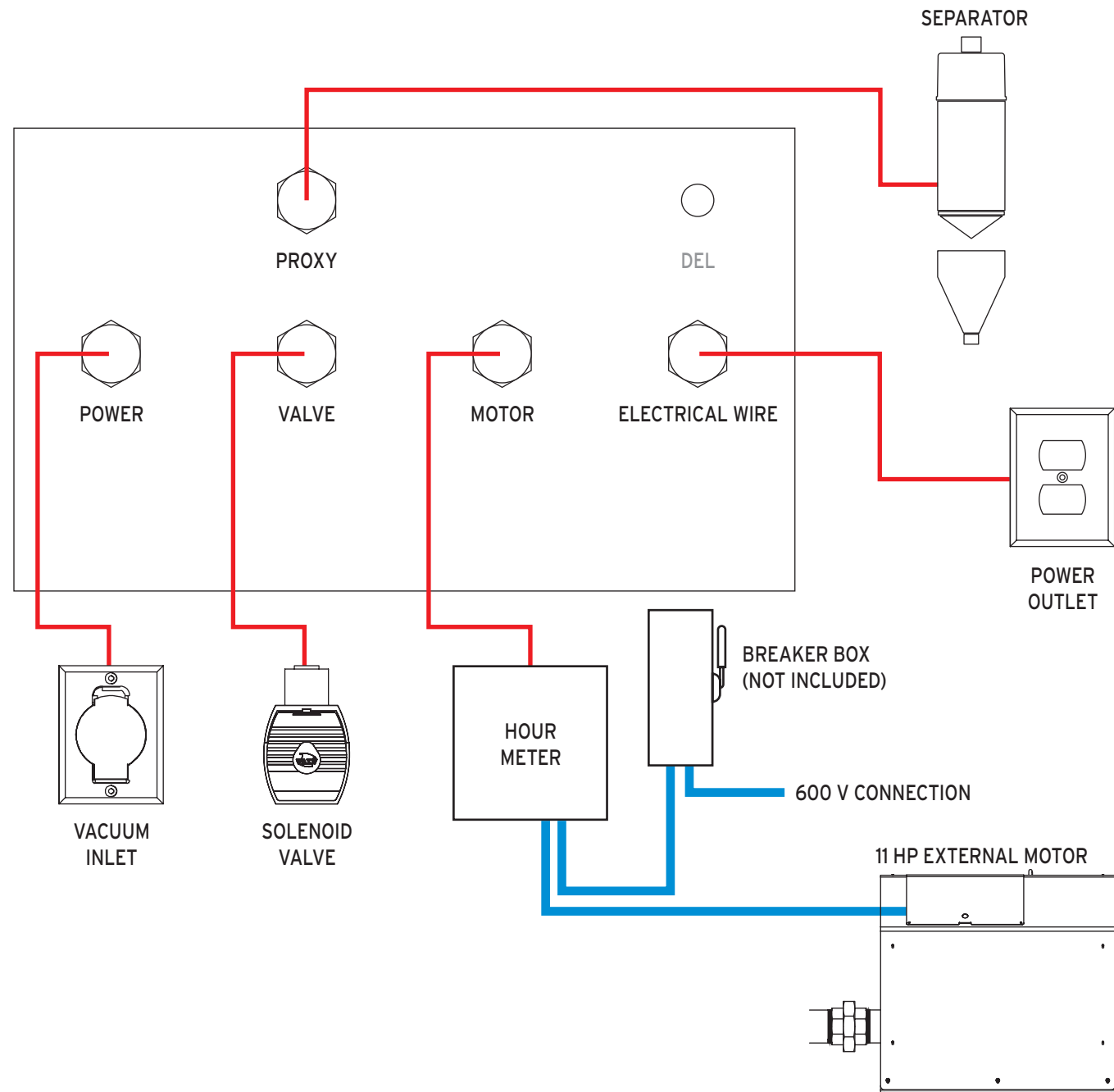
# INSTALLING THE PIPING SYSTEM

## EXAMPLES OF PROPER AND IMPROPER INSTALLATIONS



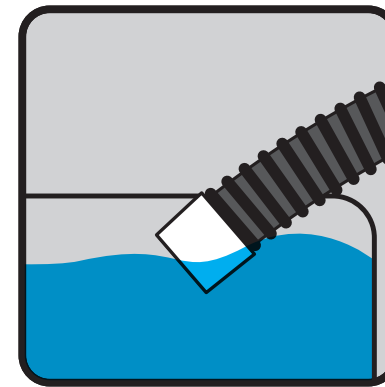
## WIRING DIAGRAM

All models covered in this manual have a control panel where all electrical components are located. The following diagram shows the underside of the panel.

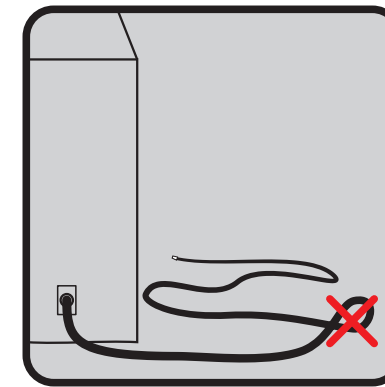


## BEFORE STORING AWAY

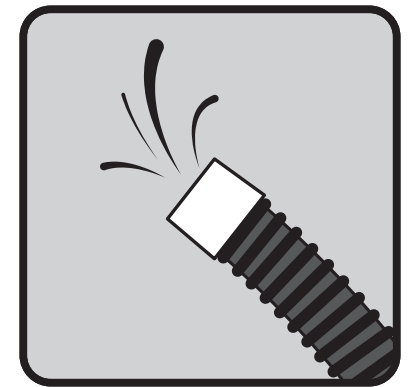
Cleaning wet surfaces dirties the inside of the hose. It is therefore necessary to clean them before storing away the equipment. These procedures eliminate any leftover liquids and prevent unwanted leaks when disconnecting the hose. Ignoring these steps might leave you with a bad stench, mould accumulation and even a clogged hose.



Vacuum 2 gallons of clear water



Fully extend the hose and undo any loops



Keep the unit running for a few minutes as it dries out  
**Optional:** vacuum toilet paper to accelerate drying process.

## DECANTER

The decanter retains any oversized objects that should not end up in the piping lines.

Please check and empty regularly.

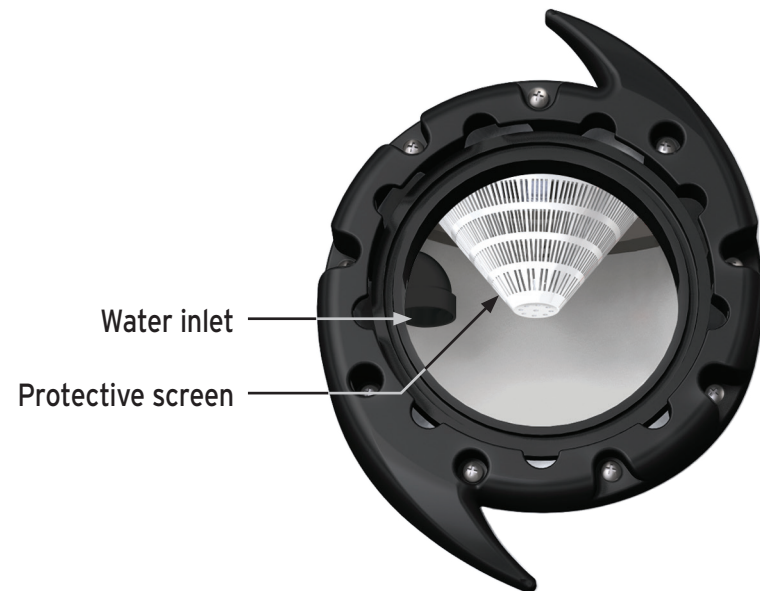


## PORTHOLE

The porthole gives you access to the internal components. Using the handles, rotate counterclockwise to access the interior.

## WATER INLET

The water inlet's opening must always be kept clear.



## PROTECTIVE SCREEN

The protective screen is located inside the separator, protecting the motor from volatile dust and splashes.

Please inspect regularly and clean as needed.

This unit complies with the **WEEE (Waste Electrical and Electronic Equipment) Guidelines**, which promote the recycling of this type of waste equipment and encourage the development of products that are adapted to efficient waste reclamation at the end of their life cycle.

The WEEE Guidelines stipulate that the original supplier should agree to reclaim any obsolete equipment free of charge. We recommend that you advise your supplier that you would like him to reclaim your unit when you order and replace it with a new one.

Do not discard the unit with your regular garbage. The symbol representing a garbage bin on wheels on the unit's label (**Figure A**) attests to this requirement. You must ensure that, at the end of its life cycle, your unit is reclaimed, treated and recycled by an authorized firm.

For more information, contact your municipal waste management department.



Figure A



The acquirer of the Automatik system is committed to respect the environmental regulations of the liquid and solid waste disposal in the public water system.

## SUPPORT

If you wish to speak with a customer service representative, please contact your supplier/dealer.

To find a retailer near you, please visit our website: [www.drainvac.com/ca/en/retailers/find-a-retailer/](http://www.drainvac.com/ca/en/retailers/find-a-retailer/)

