

OWNER'S MANUAL

VACREEL



IMPORTANT SAFETY INSTRUCTIONS

Read all guidelines before usage.

To reduce risk of fire, electric discharges or injuries:

- Use the VacReel only for its intended use as described in this manual.
- Do not allow the VacReel to be used as a toy. Close supervision is necessary when used near children.
- Do not pick up anything that is burning or smoking, such as cigarettes, matches, or hot ashes.
- Do not pick up any flammable liquids or combustible materials (gasoline, fuel, diesel) hot debris, waste solvents (paint or other), explosive materials.
- Avoid picking up sharp objects to prevent damaging or block the hose.
- Keep hair, face, fingers, all body parts and loose clothing away from any openings.
- **The vacuum’s hose must always be held when deployed. Setting the hose down, dropping it or leaving it on the floor may cause the hose to reel back unwillingly. Failure to follow these instructions may result in serious injuries.**
**Please read page 20 to know how to properly use the VacReel.*
- **The VacReel is designed to be used by qualified professionals. Handling the device by an untrained user can result in serious injuries.**

By overlooking safety rules, you might risk putting your health in danger and to those who surround you!

Drainvac disclaims any responsibility should you infringe upon these guidelines.

SAVE THESE INSTRUCTIONS

The VacReel and the hose weighs over 96 lb.

**ASK FOR ASSISTANCE
BEFORE THE INSTALLATION PROCESS.**

DO NOT CUT BLACK TIE WRAPS.

Only white ones.

MODELS..... 5

INSTALLATION

REQUIRED TOOLS / SUPPLIED EQUIPMENT / EQUIPMENT YOU NEED..... 6

THE MAIN SUPPORT..... 7

THE ARM GUIDE..... 8-9

THE REEL DISC 10

CORE ASSEMBLY..... 11

HOSE SETUP 12

THE CUFF 13

MAKE A P-TRAP..... 14

HOSE AND TOOL HOLDER..... 15

TENSION ADJUSTMENT..... 16

PIPING INSTALLATION

GENERAL NOTES.....17

EXAMPLES OF A PROPER AND IMPROPER INSTALLATION 17-19

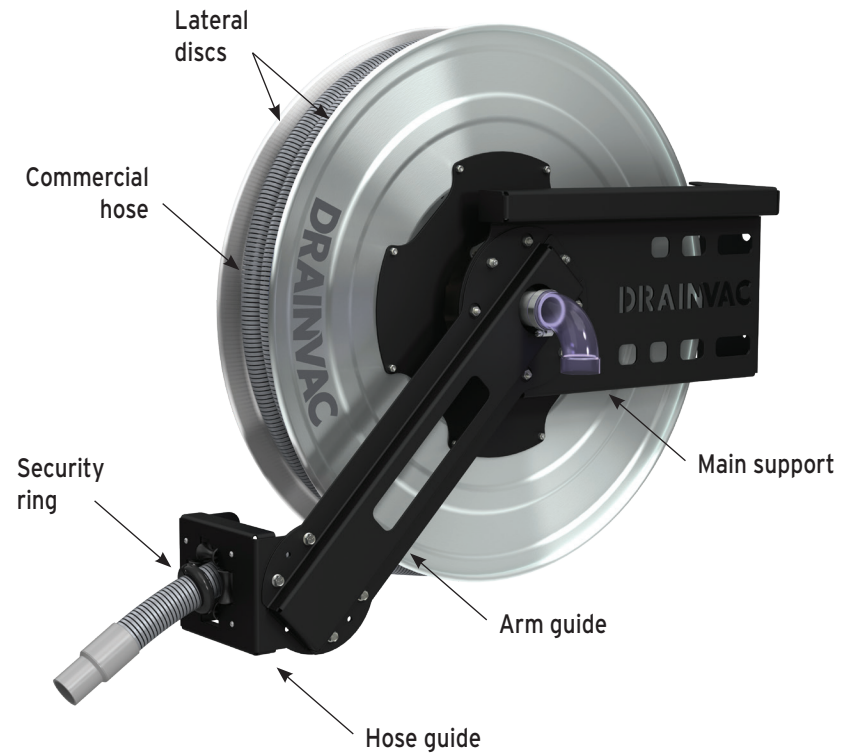
HOW TO USE

HOW TO USE / HOW TO STORE..... 20

MAINTENANCE PROCEDURES..... 20-21

SUPPORT..... 21

BOLT PATTERN CENTREFOLD



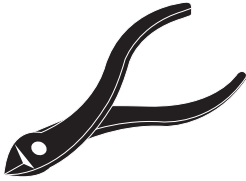
VREEL.50

- 50' (15 m) commercial hose

VREEL.50A

- 50' (15 m) antistatic commercial hose

REQUIRED TOOLS



Cutting Pliers



Drill



1/2" (12 mm) Wrench



5/16" (8 mm) Wrench



Phillips Screwdriver

SUPPLIED EQUIPMENT

Aside from the ring clamps, the transparent elbow and the 5' (1.5 m) hose, all provided screws and bolts are found partially screwed to their dedicated area.

- 4 nuts with washers for the reel disc
- 4 nuts with washers for the arm guide (you will only use 3)
- 4 nuts with bolts and washers for the hose guide
- 3 pipe clamps for the extra hose and rotating bushing
- 3 wing nuts for the central inlet

EQUIPMENT YOU NEED

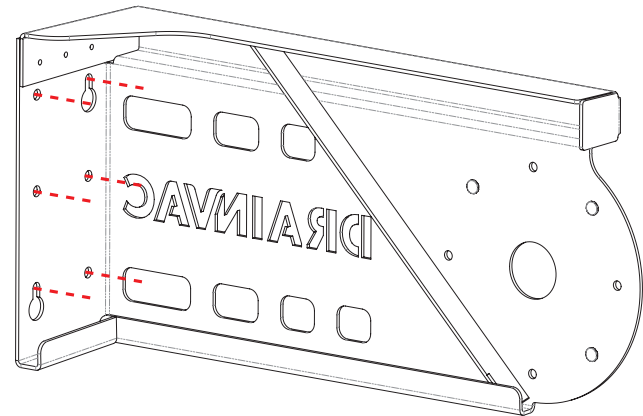
- 3/8" drill bit
- 6 carriage bolts or hexagonal wood screws of 3/8" x 1-1/2" with washer and lock washer
- 3/4" plywood for an installation on a gypsum wall
- All-purpose silicone for the hose and cuff

1) THE MAIN SUPPORT

Install the main Drainvac support to the desired area (either wall, ceiling or floor) by using the bolt pattern provided at the centrefold of this manual. **Make sure the lateral discs have sufficient space to spin without any obstruction.**

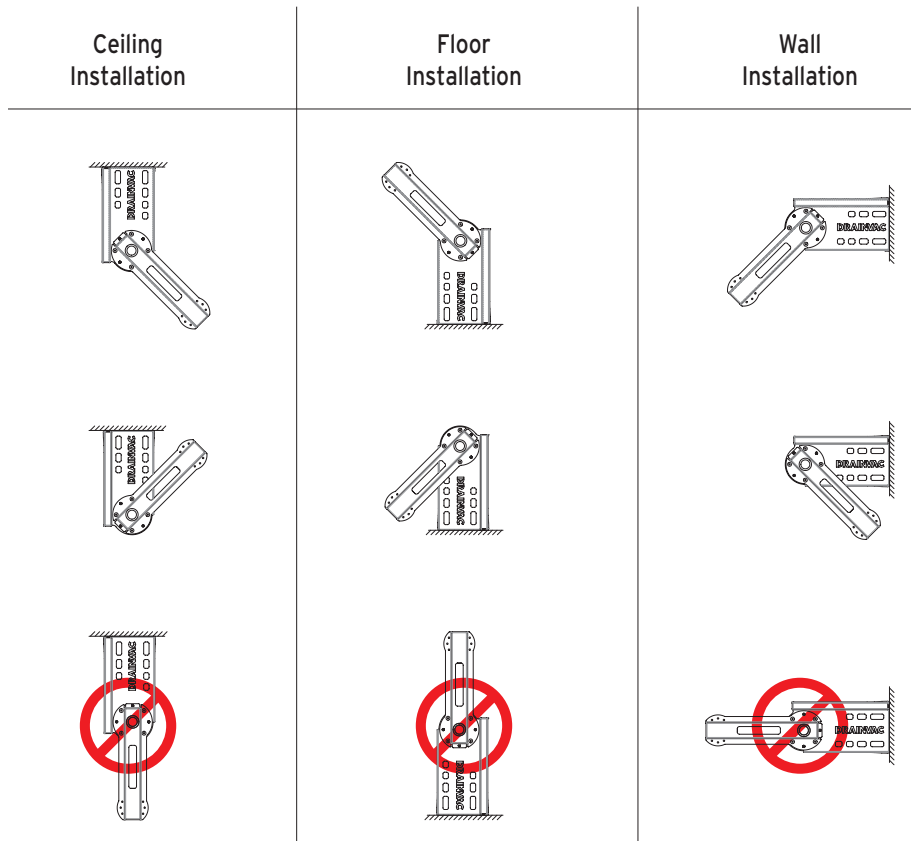
*Screws are not provided for this purpose.

- Start by screwing the upper right and bottom left corner. Do not screw all the way in. **IMPORTANT: if the support is mounted onto a gypsum wall, make sure to screw in a wooden beam or install a 3/4" (2 cm) plywood beforehand for more stability.**
- Place the support onto the screws.
- Tighten both screws and secure the support by adding 4 more screws into the remaining holes.

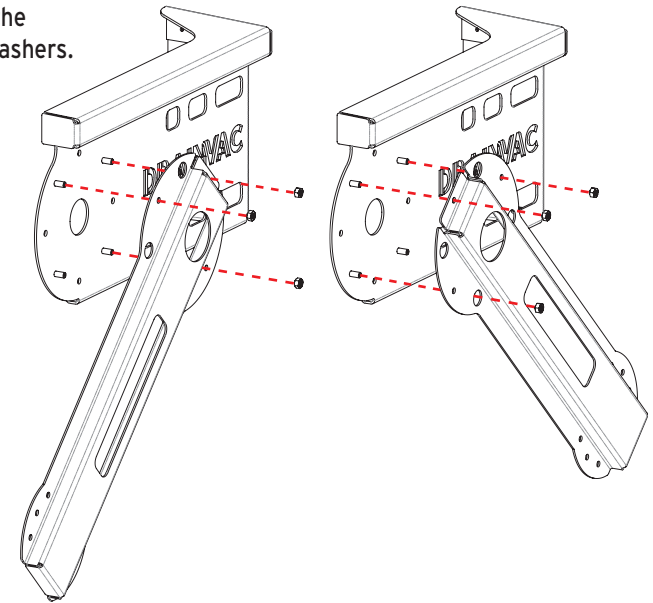


2) THE ARM GUIDE

Install the arm guide according to the VacReel's emplacement.

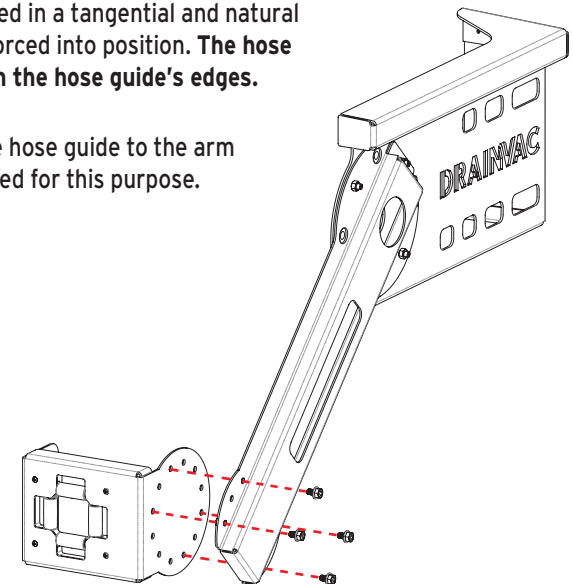


- Mount the arm with the provided bolts and washers.



The hose guide can be mounted in any desired position, as long as the hose is placed in a tangential and natural manner instead of being forced into position. **The hose must not touch nor rub on the hose guide's edges.**

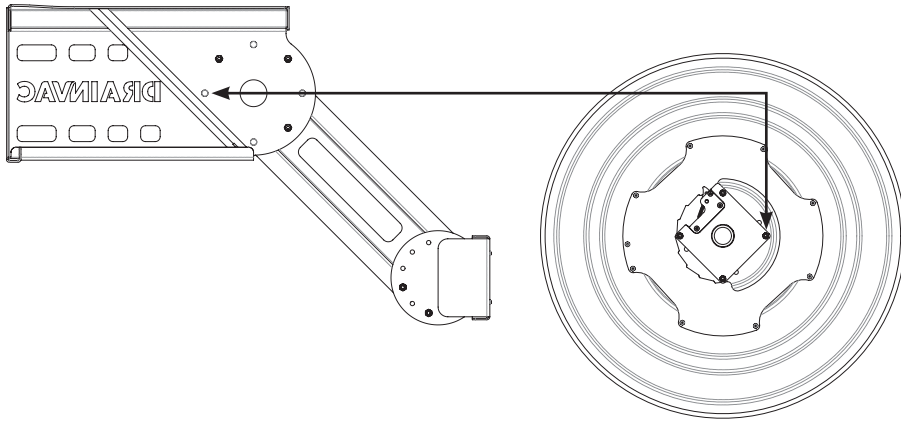
- Screw and tighten the hose guide to the arm with all 4 bolts provided for this purpose.



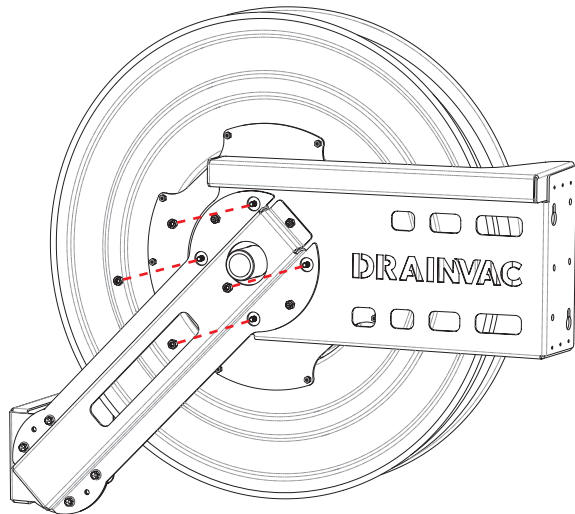
3) THE REEL DISC

- Mount the reel disc onto the back of the support by aligning the black bolt from the reel disc with the middle hole facing the Drainvac logo.

WARNING: This step is crucial for the proper functioning of the VacReel. Improper installation will void your warranty.

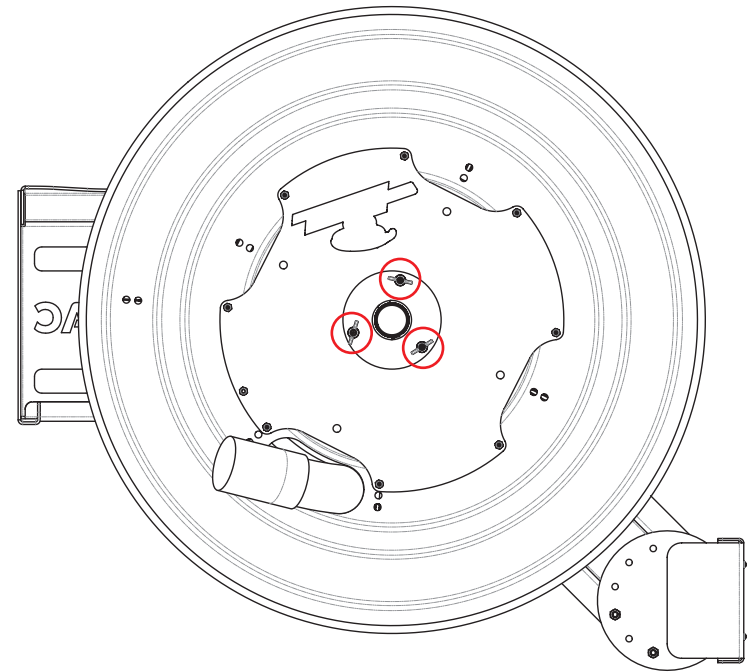


- Secure the reel disc with the provided bolts and washers.



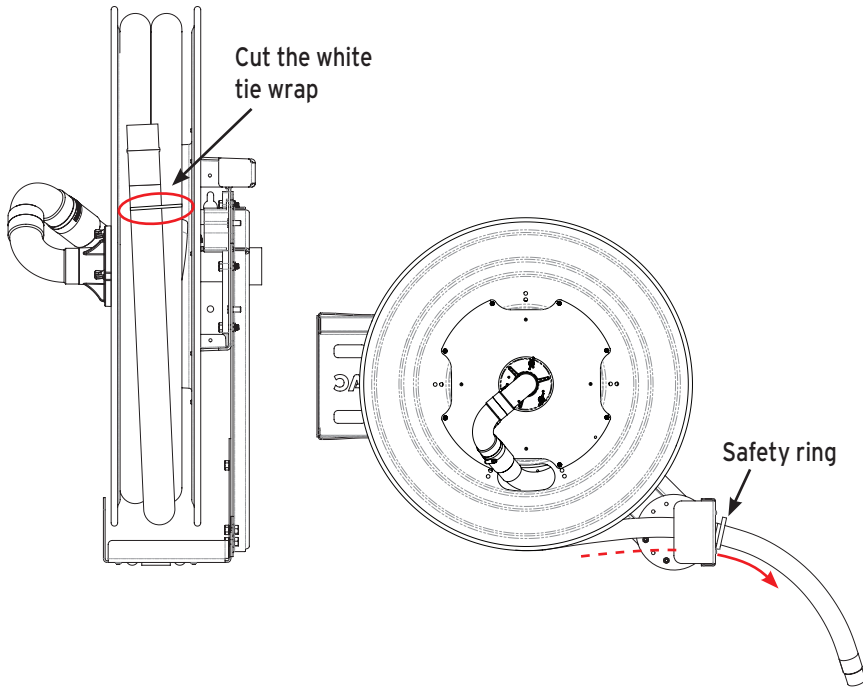
4) CORE ASSEMBLY

- Connect the rotation bushing between the hose (coming out of the disc) and the center of the disc with a pipe clamp and the 3 preinstalled wing nuts.



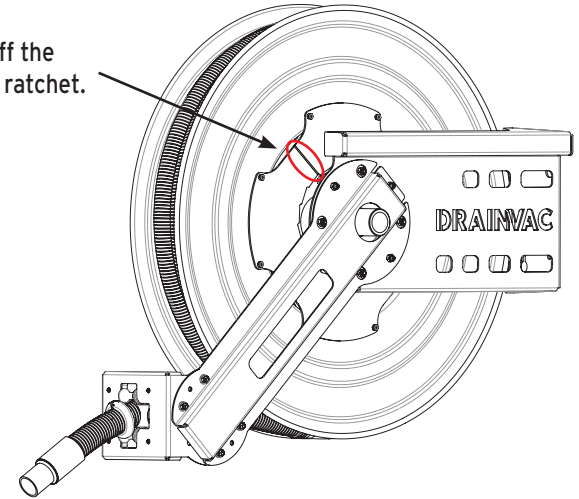
5) HOSE SETUP

- Untie the main hose.
- Make it go through the arm guide.
- Secure the hose by placing the safety ring to the desired length, this will keep the hose from reeling all the way back and breaking the internal clock spring.



*Illustration may differ from the actual model.

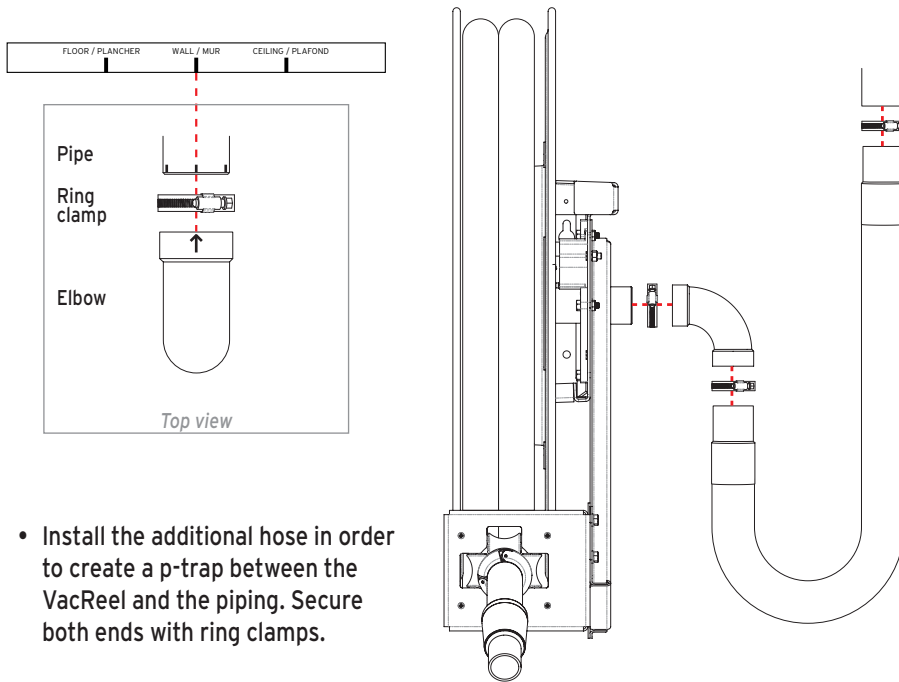
- It is now safe to cut off the white tie wrap off the ratchet.



7) MAKE A P-TRAP

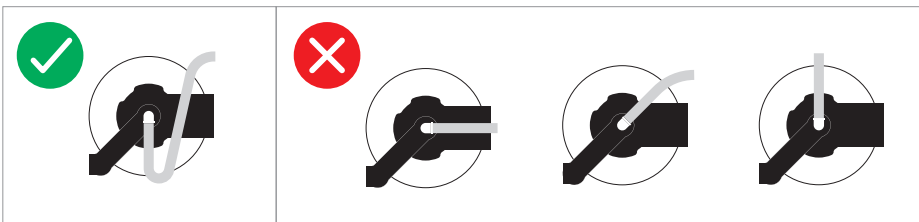
A transparent 90° elbow, an additional 2" (5 cm) x 5' (1.5m) hose and ring clamps are provided with the VacReel in order to make a p-trap.

- On the evacuation pipe, in the centre of the reeling disc, there are 3 lines indicating the VacReel's emplacement: floor, wall and ceiling. Align the arrow found on the elbow with the VacReel's emplacement as indicated on the piping. Secure the elbow with a ring clamp.



- Install the additional hose in order to create a p-trap between the VacReel and the piping. Secure both ends with ring clamps.

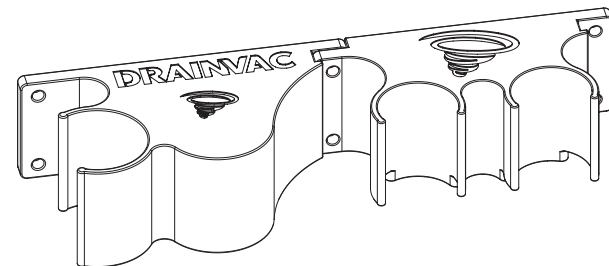
WARNING : Improper installation will void the warranty.



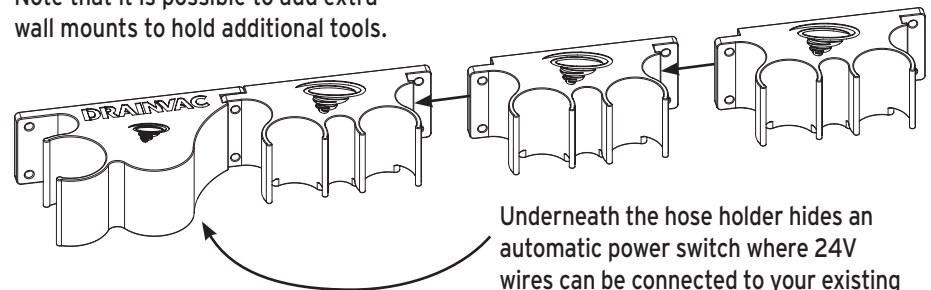
8) HOSE AND TOOL HOLDER

Each wall mount is designed to connect from one to another: the left wall mount holds the hose and the right one holds the tools supplied with the VacReel.

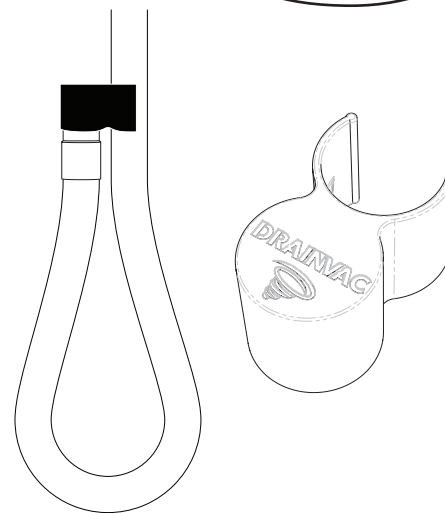
- Install both wall mounts to the desired height, ideally beneath the VacReel.
*Screws are not included. Screws must be 1-1/4" long minimum. If screwed in a gypsum wall, anchors must be used.



Note that it is possible to add extra wall mounts to hold additional tools.



Underneath the hose holder hides an automatic power switch where 24V wires can be connected to your existing electrical wiring network. Removing the hose from the hanger will start the unit.



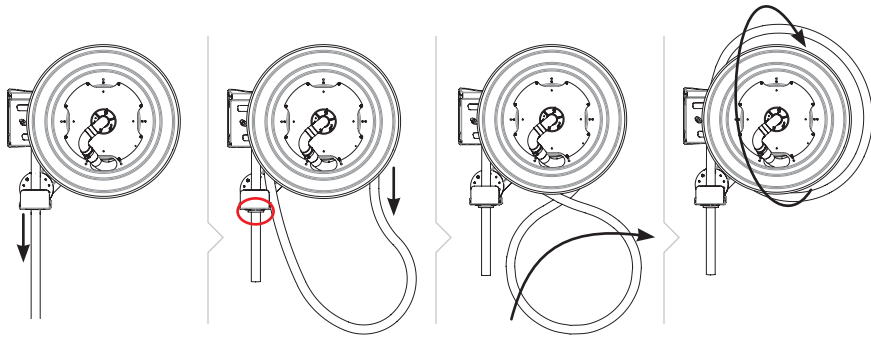
If the VacReel is installed onto the ceiling where there are no nearby walls, use the supplied cap. The cap simply snaps onto the hose and blocks the airflow.

9) TENSION ADJUSTMENT

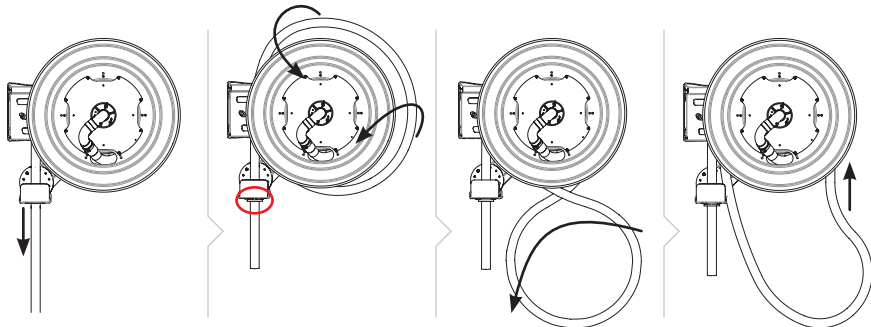
IMPORTANT NOTICE: Before you make any adjustments, it is crucial to have the safety ring already in place on the hose to prevent the spring from unwinding itself. It is highly recommended not to tighten/loosen more than two turns from the initial tension.

Once you've installed and tested your VacReel, you may find the tension either too weak or too strong. If the VacReel was installed onto the ceiling, you probably needed extra length in order to get a reach of the hose. If the VacReel was installed higher than 10' (3m), you may consider tightening the tension. Otherwise, the initial tension is generally sufficient for most cases.

- **TO TIGHTEN** - Pull the hose until the VacReel locks into place. With the extra length, pull back the hose, enough to loop it onto the reel disc. This will make the hose reel faster.



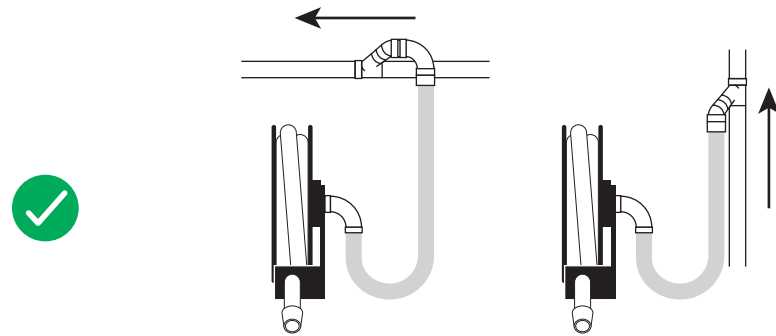
- **TO LOOSEN** - Pull the hose until the VacReel locks into place. With the extra length, pull the hose back, enough to undo a loop. This will make the hose to reel slower.



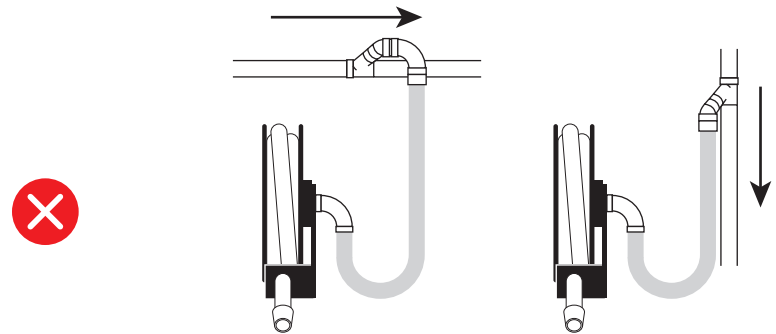
GENERAL NOTES

- If an extra pipeline is added to your existing piping system in order to reach the designated area, always have a slight inclination of the piping towards the unit.
- The piping junction must be installed in a way which will not disrupt the airflow and must be higher than the main piping.

EXAMPLES OF A PROPER INSTALLATION



EXAMPLES OF AN IMPROPER INSTALLATION

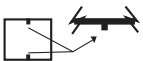


PIPING INSTALLATION

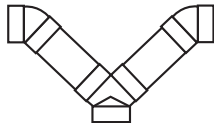
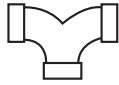
EXAMPLES OF PROPER AND IMPROPER INSTALLATIONS



Thin wall
Thick wall
For wall plates only



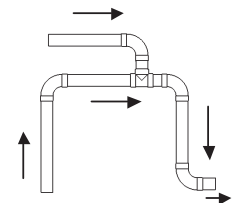
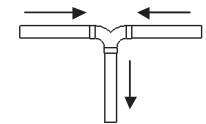
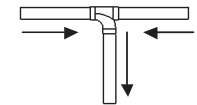
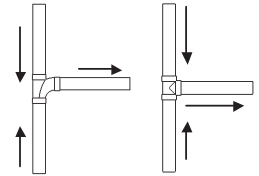
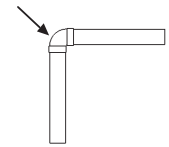
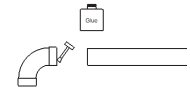
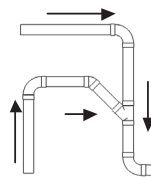
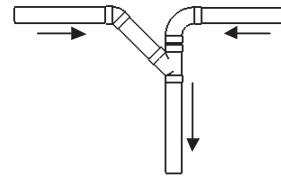
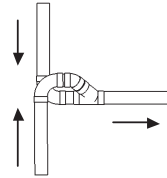
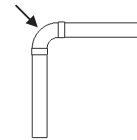
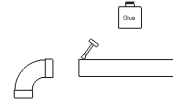
Joint with inside stoppers



Smooth joint without
inside stoppers

PIPING INSTALLATION

EXAMPLES OF PROPER AND IMPROPER INSTALLATIONS



HOW TO USE



HOW TO USE YOUR VACREEL

1. Reach for the hose and unmount it from the hose holder.
↳ The vacuum starts.
2. Start pulling on the hose.
↳ The locking mechanism emits a clicking sound.
3. Keep on pulling until you have reached the desired length. Pulling should stop only when the locking mechanism is heard.
4. Start cleaning.

HOW TO STORE THE HOSE

1. Move closer to the VacReel and pull the hose until locking mechanism stops clicking.
↳ The VacReel starts reeling the hose.

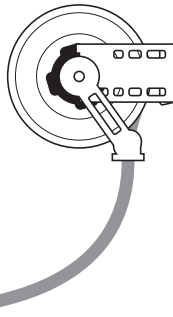
2. SAFETY MEASURE: As the hose is reeling back, hold the hose firmly to prevent it from whipping around and hitting your surroundings.



MAINTENANCE PROCEDURES

LIQUIDS

If your vacuum system allows you to pick up liquids, we strongly recommend cleaning the hose by vacuuming 2 gallons of water on a weekly basis with the hose fully deployed. Leave the system running a few minutes to let the hose dry out. Ignoring these maintenance procedures might leave you with a bad stench, mould accumulation and even a clogged hose.

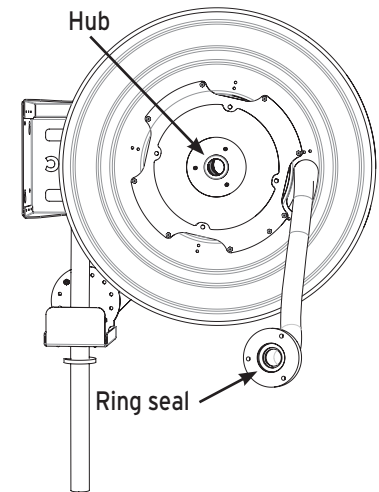


MAINTENANCE PROCEDURES

Without exception, a **minimum maintenance is required** depending on the usage frequency.

*The following cleaning requirements are for a daily usage.

- On a monthly basis, unscrew the 3 wing nuts to access the ring seal and hub.
- Dry-clean both areas and visually inspect the interior parts. If there are any internal parts that appear badly worn or broken, these should be replaced immediately. In this case, please contact your representative.
- Reassemble.



SUPPORT

If you wish to speak with a customer service representative, please contact your supplier/dealer. To find a retailer near you, please visit our website: www.drainvac.com/ca/en/retailers

Drainvac

150 Brunet, Mont-Saint-Hilaire
QC, Canada, J3H 0M6